

Company \_\_\_\_\_ Contact \_\_\_\_\_ Project \_\_\_\_\_

Phone \_\_\_\_\_ Fax \_\_\_\_\_ E-mail \_\_\_\_\_

drawings if possible):

---



---

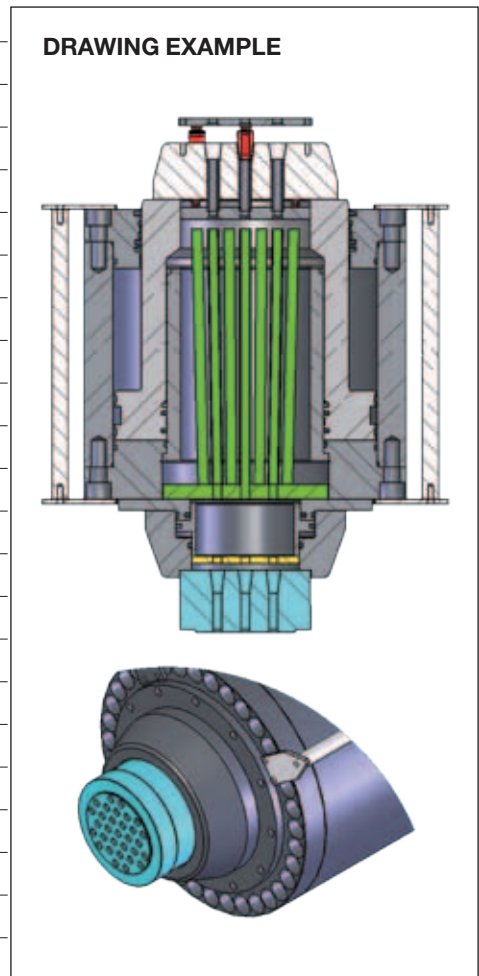


---



---

Tensioning System	<input type="checkbox"/> Existing	<input type="checkbox"/> Development
Tendons	<input type="checkbox"/> Bonded	<input type="checkbox"/> Unbonded
Jack Design	<input type="checkbox"/> Standard	<input type="checkbox"/> Custom
Bearing Location	<input type="checkbox"/> Anchor Head	<input type="checkbox"/> Bearing Plate
Drawing of Anchor Head(s) Available	<input type="checkbox"/> Yes	<input type="checkbox"/> No
Number of Strands		
Strand Size		
Hole Pattern and Diameter		
Anchor Head Diameter		
Anchor Head Height		
Anchor Head Material		
Stroke		
Total Force Needed		
Hydraulic Seating Device	<input type="checkbox"/> Yes	<input type="checkbox"/> No
Front or Rear Gripping		
Tube Bundle	<input type="checkbox"/> Yes	<input type="checkbox"/> No
Quantity		
Stressing Wedge Release	<input type="checkbox"/> Auto	<input type="checkbox"/> Manual
Number of Hose Connections	<input type="checkbox"/> 2	<input type="checkbox"/> 3
Special Corrosion Requirement		
Weldable Cylinder or Non		
Required Lead Time		
Spare Part Requirements		



**Environmental Conditions** (e.g. ambient temperature, dust, saltwater, etc.)

---



---



---



---

**Additional Requirements** (e.g. lifting attachments, spare parts)

---



---



---



---